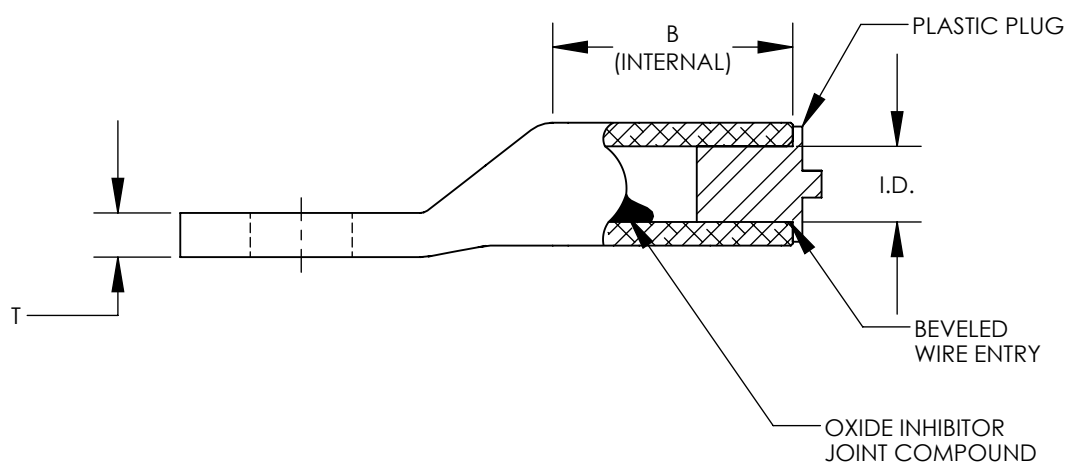
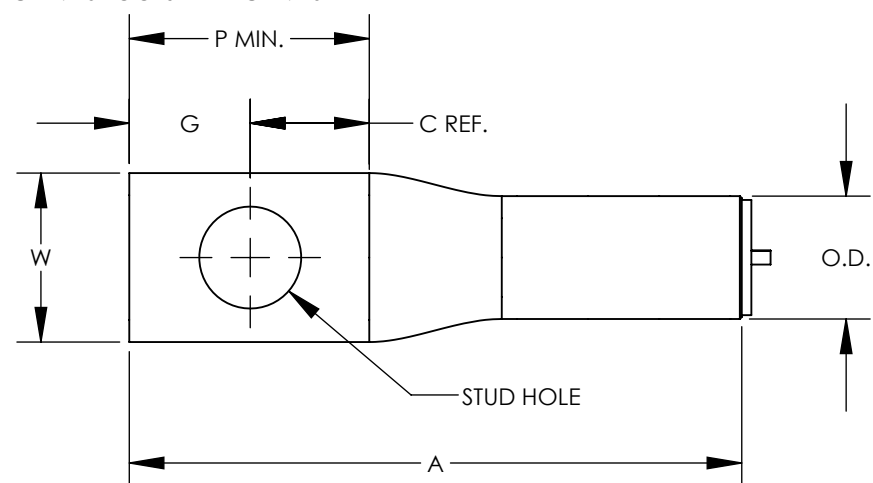


PANDUIT PART NUMBER	CONDUCTOR SIZE	STUD SIZE	OVERALL LENGTH "A" +/- .12	BARREL LENGTH "B" MIN	BARREL		TONGUE WIDTH "W" +/- .06	TONGUE THICKNESS "T" +/- .02	TONGUE LENGTH "P" MIN	HOLE OFFSET "G" +/- .03	WRENCH CLEARANCE "C" REF	WIRE STRIP LENGTH	PANDUIT CRIMP TOOL PART NUMBERS			
					I.D. +/- .01	O.D. +/- .01							CT-700 (OBSOLETE)	CT-1700	CT-720	CT-920/CT-920CH CT-930/CT-930CH CT-940CH* CT-2920/CT-2940*
LAA6-14-X LAA6-56-X	#6 AWG	1/4" 5/16"	2.20	.86 1.00	0.20	0.34	0.55	0.11	0.53	0.41	0.52	1"	CD-720-8-2 GRAY P29 5 CRIMPS	GRAY P29 5 CRIMPS	CD-720-1 GRAY P29 2 CRIMPS	CD-920-4 GRAY P29 2 CRIMPS
LAA4-14-X LAA4-56-X LAA4-38-X	#4 AWG	1/4" 5/16" 3/8"	2.05 2.23 2.33	1.05 1.08 .92	0.26	0.47	.66 .69 .69	.19 .16 .16	.62 .90 .90	.34 .44 .44	.38 .56 .56	1-1/16"	CD-700-1-1/0 GREEN P37 5 CRIMPS	GREEN P37 5 CRIMPS	CD-720-2 GREEN P37 2 CRIMPS	CD-920-1 GREEN P37 2 CRIMPS
LAA2-14-X LAA2-56-X LAA2-38-X	#2 AWG	1/4" 5/16" 3/8"	2.63	0.98	0.31	0.53	0.75	0.17	1.03	0.44	0.69	1"	CD-700-1-1/0 PINK P42 5 CRIMPS	---	CD-720-2 PINK P42 3 CRIMPS	CD-920-1/0 PINK P42 2 CRIMPS
LAA1-14-X LAA1-56-X LAA1-38-X	#1 AWG	1/4" 5/16" 3/8"	2.63	0.98	0.35	0.53	0.75	0.17	1.03	0.44	0.69	1"	---	---	CD-720-2 GOLD P45 3 CRIMPS	CD-920-2/0 GOLD P45 2 CRIMPS
LAA1/0-56-X LAA1/0-38-X LAA1/0-12-X	#1/0 AWG	5/16" 3/8" 1/2"	3.23	1.30	0.39	0.64	0.88	0.25	1.16	0.63	0.63	1-9/16"	---	---	CD-720-2 TAN P50 3 CRIMPS	CD-920-3/0 TAN P50 2 CRIMPS

\*CD-920 DIES CAN BE USED WITH CT-940CH AND CT-2940 TOOLS WITH CD-940-DA DIE ADAPTER

NOTES:

1. MATERIAL: SEAMLESS ALUMINUM TUBING
2. TIN PLATED
3. FOR STRANDED ALUMINUM AND COPPER WIRE
4. UL LISTED
5. CSA CERTIFIED
6. ALL DIMENSIONS IN INCHES



REV	DATE	BY	CHK	APR	DESCRIPTION	ECN
03	10/14	JHNU	JHNU	RGB	REVISED I.D. FOR LAA1: .35 WAS .31	N41203BA-C41203
02	3/13	JHNU	JHNU	RGB	REVISED TITLE BLOCK CONVERTED TO SOLIDWOKRS	N41203BA-C41203

TITLE		LAA SERIES #6-1/0 ALUMINUM LUGS CUSTOMER DRAWING	
ITEM REVISION NAME	N41203BA-C41203/03		MATERIAL
DATASET FILE NAME	C41203/03.SLDDRW		
UNLESS OTHERWISE SPECIFIED, DIMENSIONAL TOLERANCES ARE: IN [mm]		DRAWING NUMBER	C41203_02
.X ±	.XXX ±		
.XX ±	ANGLES ±	SEE NOTES	
THIRD ANGLE PROJECTION	SCALE	SHEET 1 OF 1	
DRAWN BY	DATE	CHK	SIZE
T SMA	9/96	NONE	B